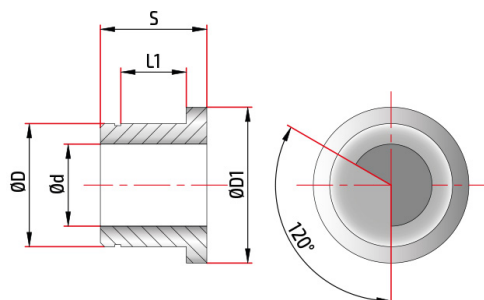




Visit the online Product Sheet


# PCA52000017

Rubber anti-vibrant drilling bushes D20



Details	Materials	Coatings
Drill diameter dp	4,26 - 4,49	Alternative Coatings
Tube diameter d	4,00	
Bush diameter D	20,00	
External diameter D1	26,00	
Thickness S	20,0	
Bearing seat l1	12,00	

This tool is available in diameters.

 Please consider the environment, before printing this document.