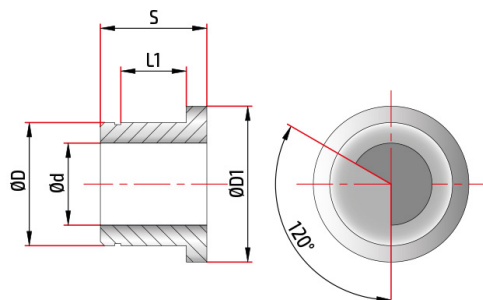




Visit the online Product Sheet

# PCA52010001

Reinforced rubber anti-vibrant drilling bushes D20



Details	Materials	Coatings
Drill diameter dp	2,00 - 2,09	Alternative Coatings
Tube diameter d	1,90	
Bush diameter D	20,00	
External diameter D1	26,00	
Thickness S	20,0	
Bearing seat l1	12,00	

This tool is available in diameters.

Please consider the environment, before printing this document.