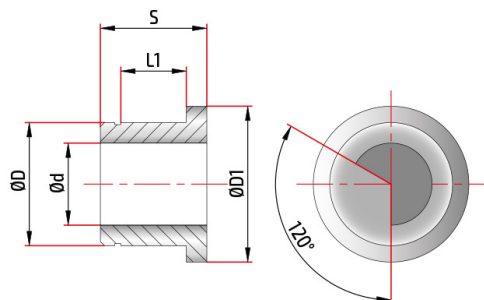




Visit the online Product Sheet


PCA53000051

Rubber anti-vibrant drilling bushes D30



Details	Materials	Coatings
Drill diameter dp	23,610-24,6 9	Alternative Coatings
Tube diameter d	23,00	
Bush diameter D	30,00	
External diameter D1	28,00	
Thickness S	26,0	
Bearing seat l1	16,00	

This tool is available in diameters.

 Please consider the environment, before printing this document.