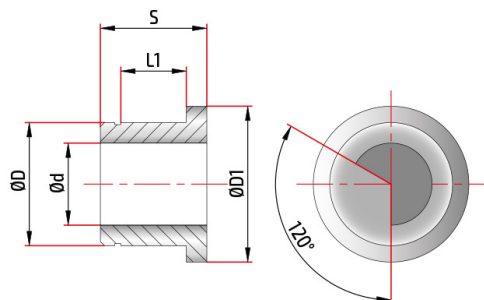




Visit the online Product Sheet


PCA53010036

Reinforced rubber anti-vibrant drilling bushes D30



Details	Materials	Coatings
Drill diameter dp	13,90 - 14,39	Alternative Coatings
Tube diameter d	14,00	
Bush diameter D	30,00	
External diameter D1	28,00	
Thickness S	26,0	
Bearing seat l1	16,00	

This tool is available in diameters.

 Please consider the environment, before printing this document.